

1. Measurement:

Make sure that the rough opening is 1/4" larger on width and 1/2" taller on height than the exact size of the window for the Replacement Window; and 1/2" Larger on both width and height for the New Construction Window.

2. Prepare the Opening:

(For Replacement windows) Leave the original wood frame, where possible. Clean the opening of any debris, removing weather-stripping, old hook eyes, or any other protruding screws or fasteners. Make sure opening is clean and square. Install 4" windows tape at bottom for sill flashing **(Optional)**.

3. Install Window:

For the Replacement Window, install from the outside tightly against the stool;

For New Construction, place the window in from the outside tightly against the nailing fin.

4. Securing & Shims:

Level the bottom of the window and put shims under each bottom corner for either New Construction or Replacement window. **For New Construction**, attach a nail on both sides at the bottom of the nail fin to keep window from sagging or moving. Shim at the mullion point for twins and triples. After making sure window is level and plumb, with proper reveal, continue nailing around nail fin approximately every other hole. (See Figure 1). **For Replacement**, use installation screws to fasten through window jamb into the wall frame.

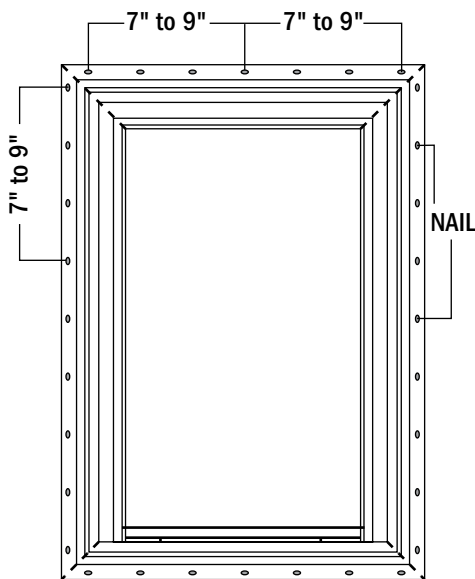


FIGURE #1

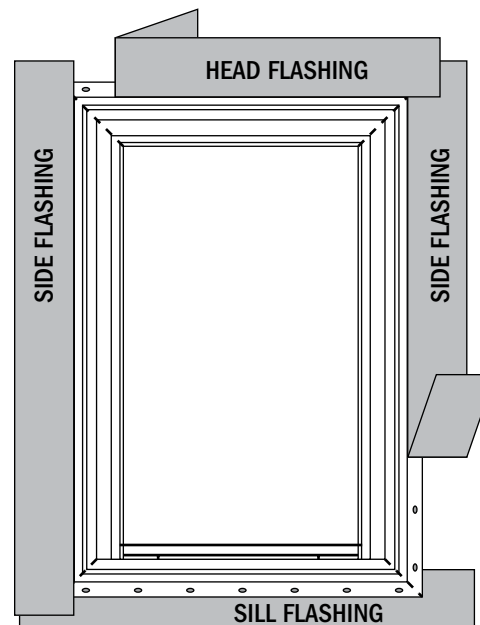


FIGURE #2

5. Tape:

For New Construction, use a 4" window tape to weatherproof outside of window. Tape each side first and then the top covering the nail fin. (See Figure 2)

6. Adjustment:

As the window is being installed, be sure to adjust the shims and/or jamb adjuster when needed to keep the window straight, level and plumb. You should use the movable sash to visually check the reveal.